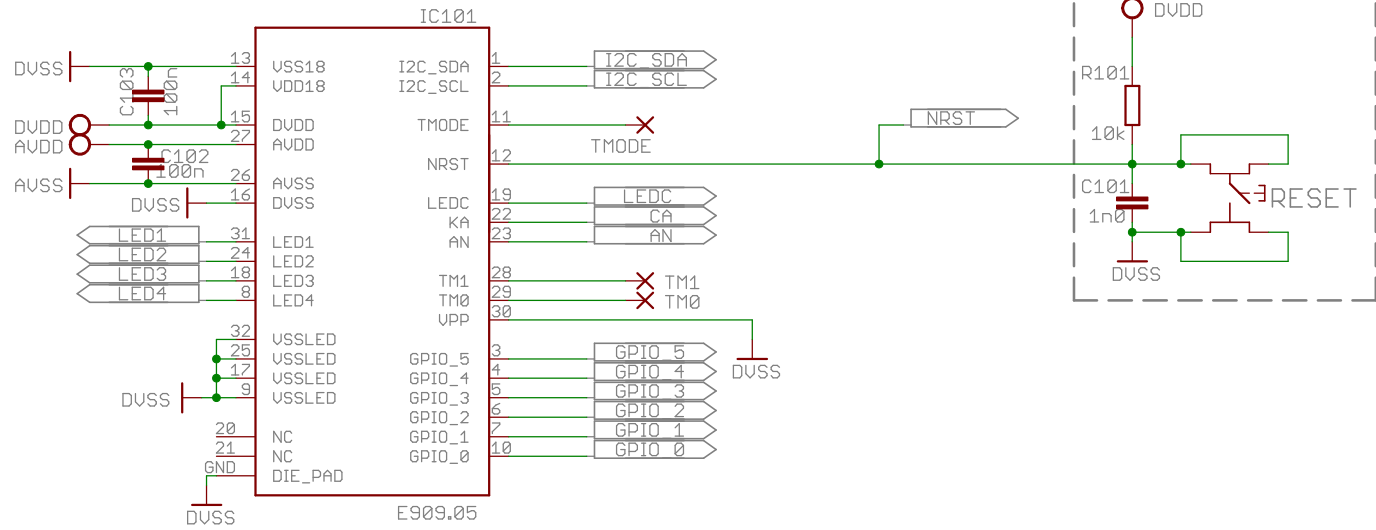




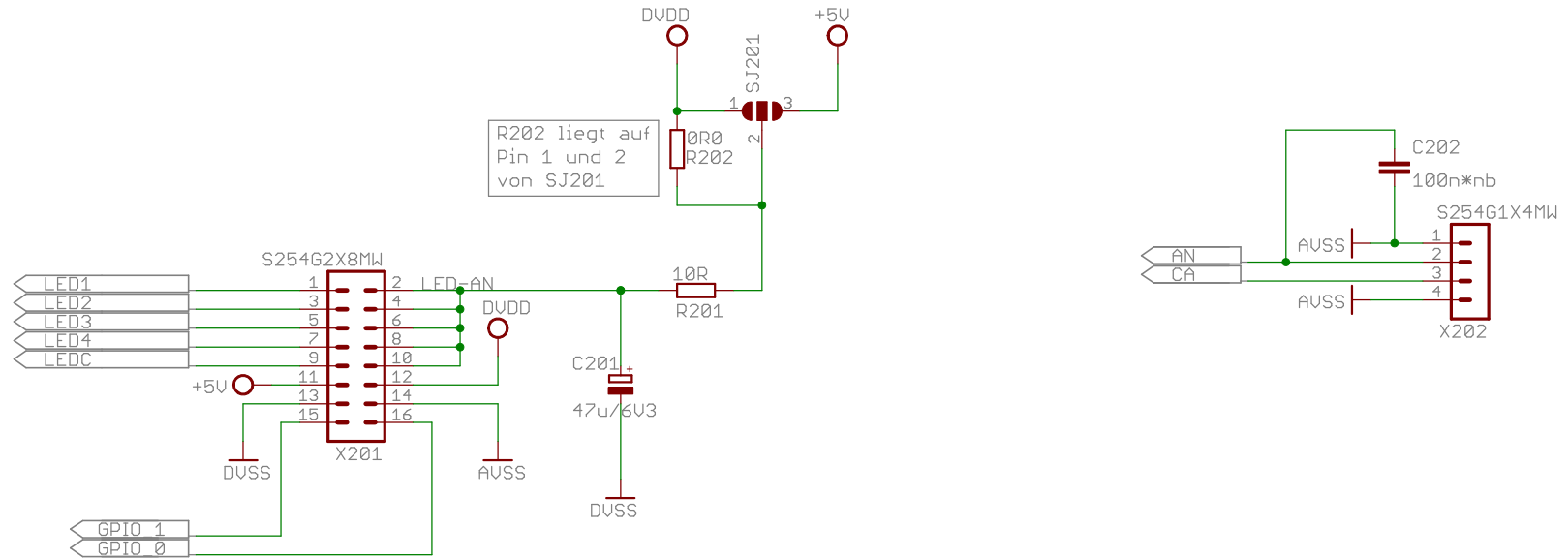
# E909.05



Ver	Engineer	Date	Project name HALIOS-IC EVA KIT USB Board E909.05
01	FDE	07-08-24	
01	OGO	07-08-27	
03	FDE	07-10-05	
			Sheet 1/5
			Drawing number 0708012.0101.01-03



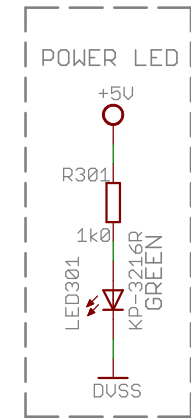
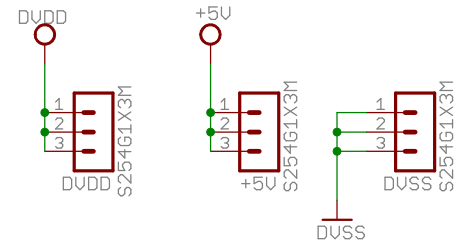
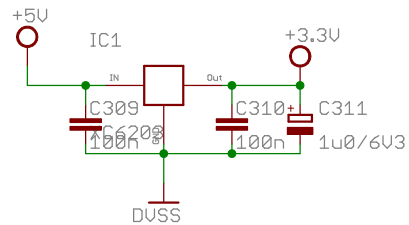
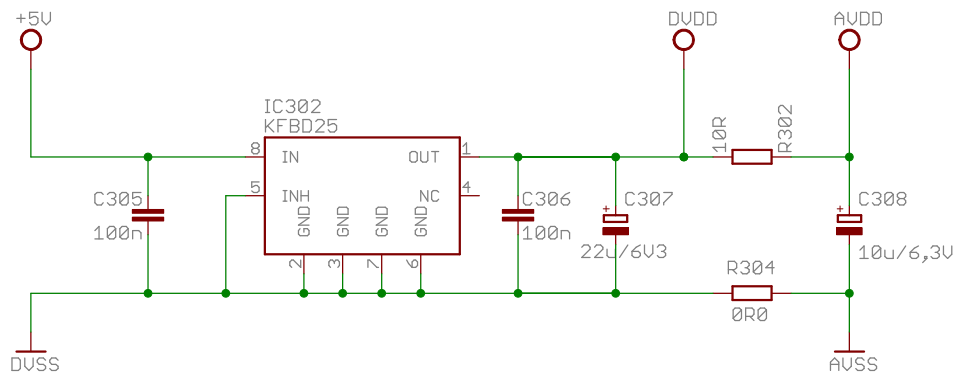
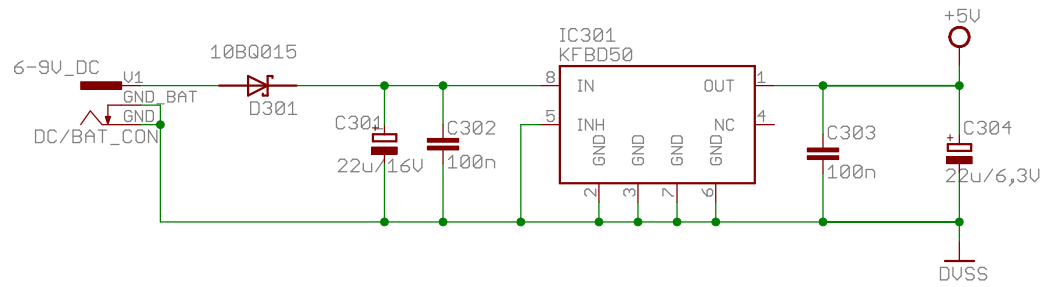
# Analog



Ver	Engineer	Date	Project name HALIOS-IC EVA KIT USB Board E909.05
01	FDE	07-08-24	
01	OGO	07-08-27	
03	FDE	07-10-05	
			Sheet 2/5
			Drawing number 0708012.0101.01-03



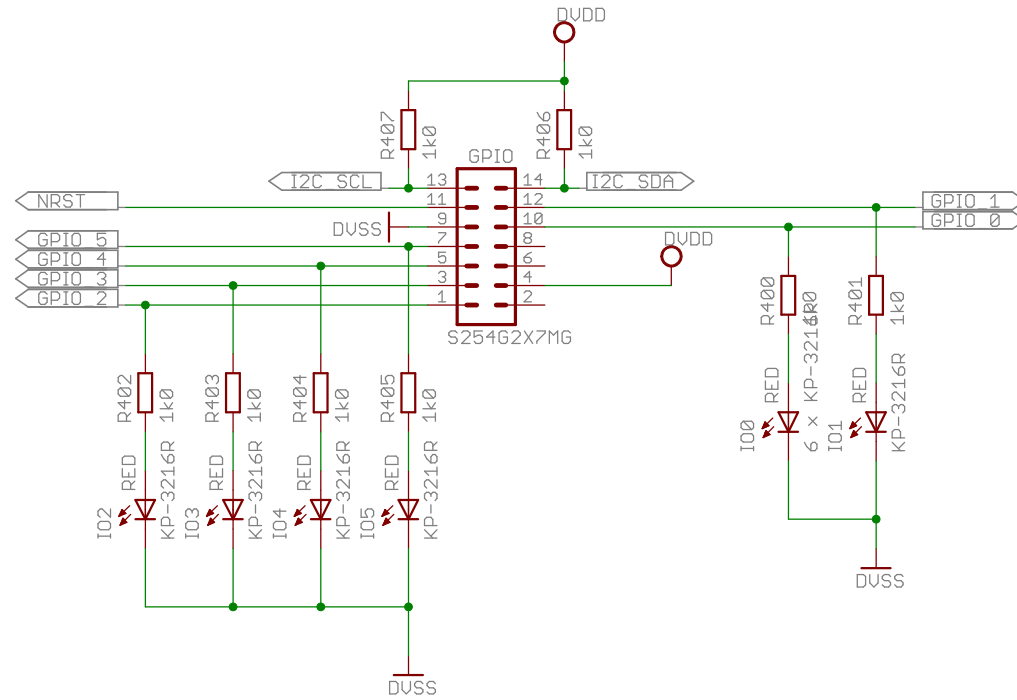
# Power-Supply



Ver	Engineer	Date	Project name HALIOS-IC EVA KIT USB Board E909.05
01	FDE	07-08-24	
01	OGO	07-08-27	
03	FDE	07-10-05	
			Sheet 3/5
			Drawing number 0708012.0101.01-03

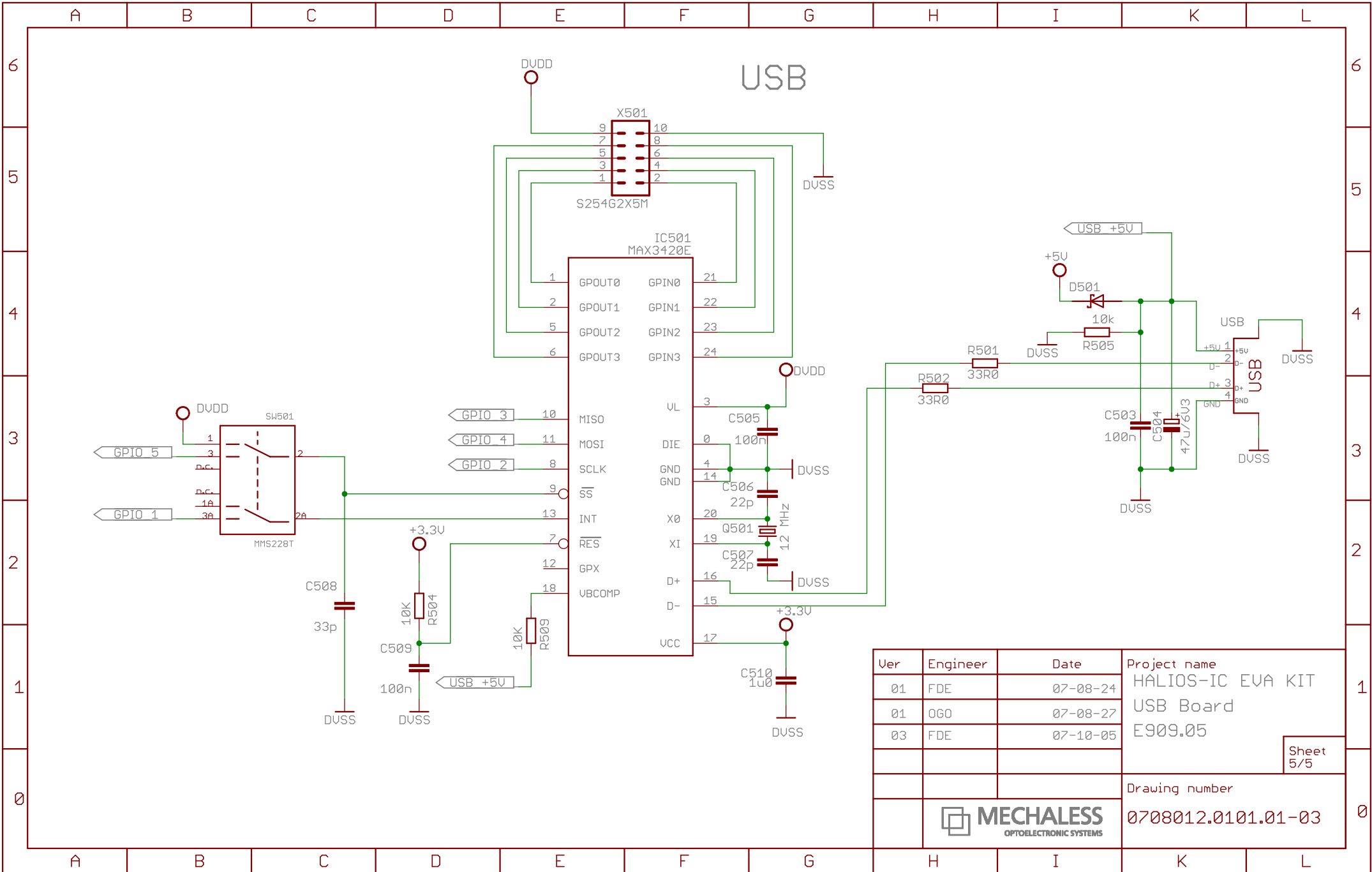


# GPIO / I2C



Ver	Engineer	Date	Project name HALIOS-IC EVA KIT USB Board E909.05
01	FDE	07-08-24	
01	OGO	07-08-27	
03	FDE	07-10-05	
			Sheet 4/5
			Drawing number 0708012.0101.01-03





Ver	Engineer	Date	Project name
01	FDE	07-08-24	HALIOS-IC EVA KIT
01	OGO	07-08-27	USB Board
03	FDE	07-10-05	E909.05

Sheet  
5/5

			Drawing number
			0708012.0101.01-03