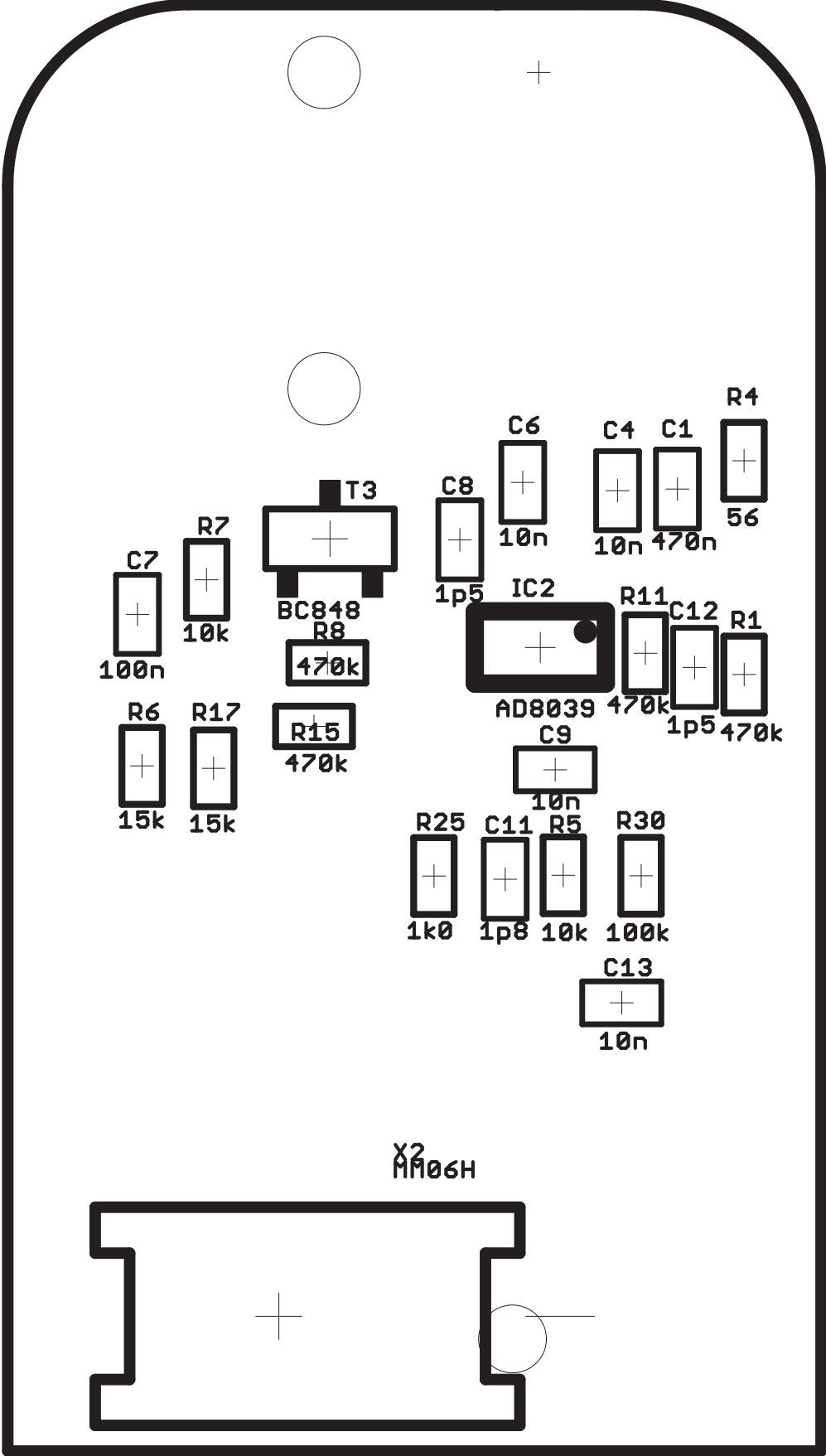
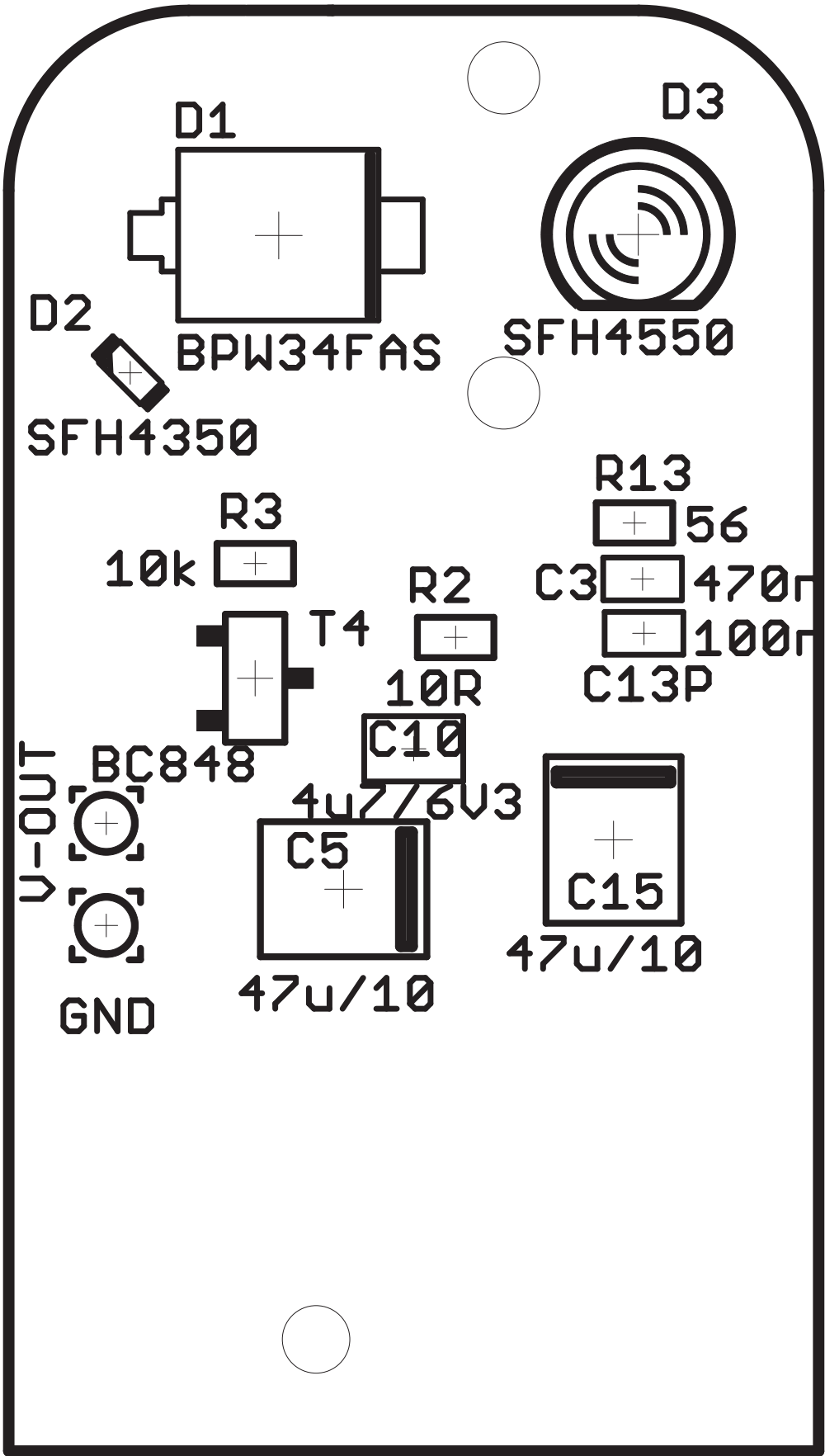


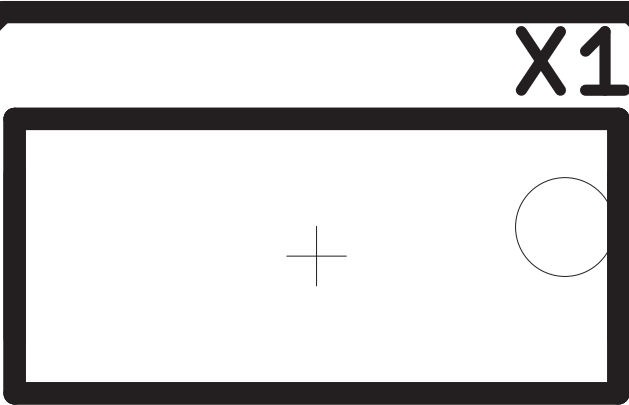
Ver	Engineer	Date	Project name
01.01	PGEM	11.10.2007	PROXHEAD
02.01	PGEM	01.07.2011	
			Drawing number
			0708012.0102.01-03_web

Sheet 1/1



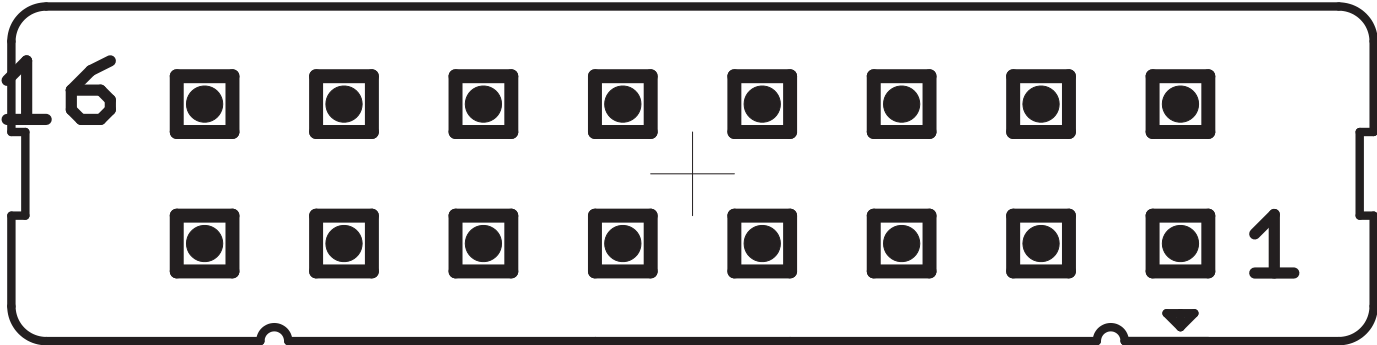






X1

X3



16

1

